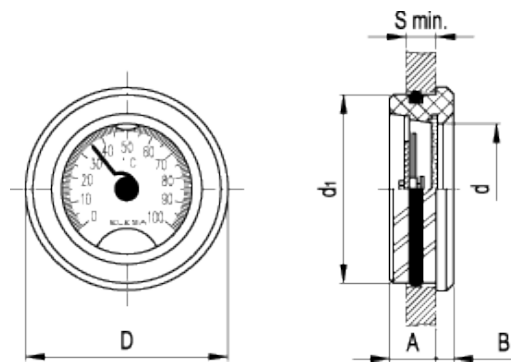


HRT-T

Oil level indicators push-fit with oil temperature reading



ELESA Original design



technical informations

Material

Polyamide based (PA) technopolymer. Resistant to solvents, oils, greases and other chemical agents.

Colour

Black, matte finish.

Window

Transparent polyamide based (PA-T/AR) technopolymer. Resistant to alcohol, solvents, oils with additives, greases, acids and alkali.

Contrast screen with bimetallic thermometer

Graduated scale up to 100°C to read oil temperature, even when oil level is at minimum, thanks to the conductivity of the aluminium contrast screen.

Packing ring

NBR synthetic rubber O-Ring.

Maximum continuous working temperature

100°C.

Features and applications

The push-fit assembly is guaranteed by optimized ribbings. Sealing is guaranteed by the O-ring. HRT/T oil level indicators push-fit are particularly suitable for assembly on reservoirs with limited pressure.

Assembly instructions

Chamfer hole 1x45° and grease slightly the outside surface of the O-ring to make assembly easier.

Note

For use with fluids containing special additives, please contact ELESa Sales Department.

| Standard Elements | | Main dimensions | | | | | | Weight |
|-------------------|-------------|-----------------|----|-----|----|----|------------------|--------|
| Code | Description | d ₁ | A | B | D | d | S _{min} | g |
| 10781 | HRT.25/T-38 | 38 | 11 | 5 | 42 | 23 | 8 | 12 |
| 10786 | HRT.40/T-60 | 60 | 11 | 5.5 | 64 | 40 | 9 | 29 |



ELESa and GANTER models all rights reserved in accordance with the law. Always mention the source when reproducing our drawings.

STANDARD MACHINE ELEMENTS WORLDWIDE